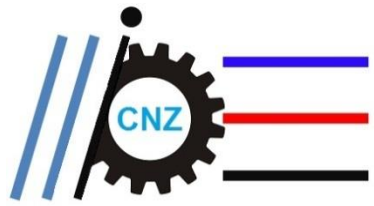




[SITE LINK](#)





# ABOUT US

Multidisciplinary engineers with more than 22 years of experience in the industrial and power generation sectors.





# EXPERTISE

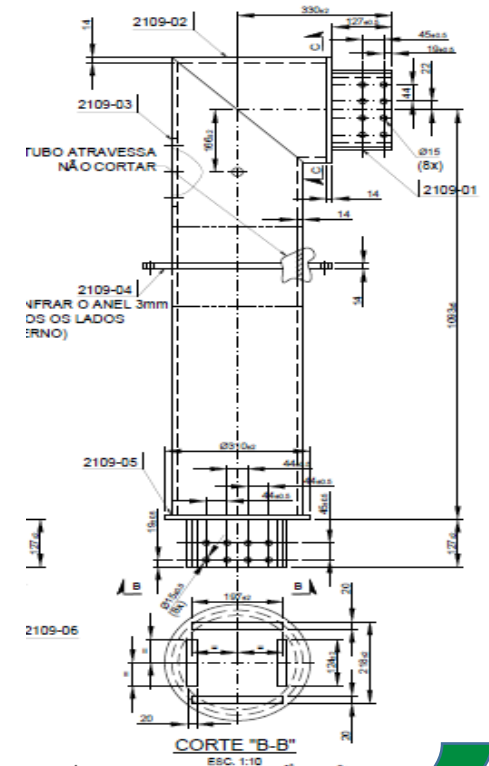
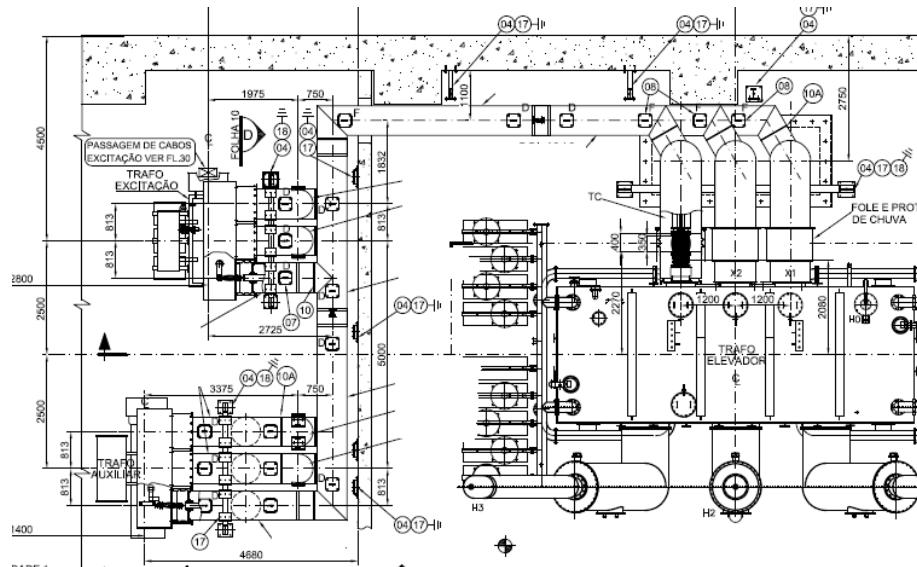
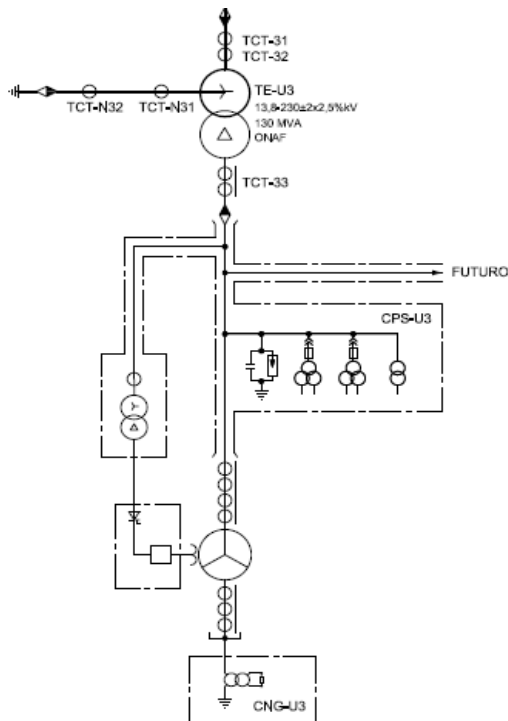


Project management

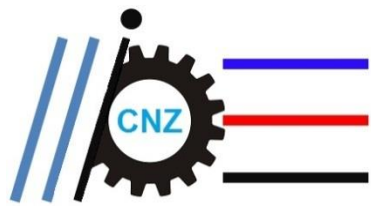
Electrical engineering

Layout / integration

Mechanical engineering

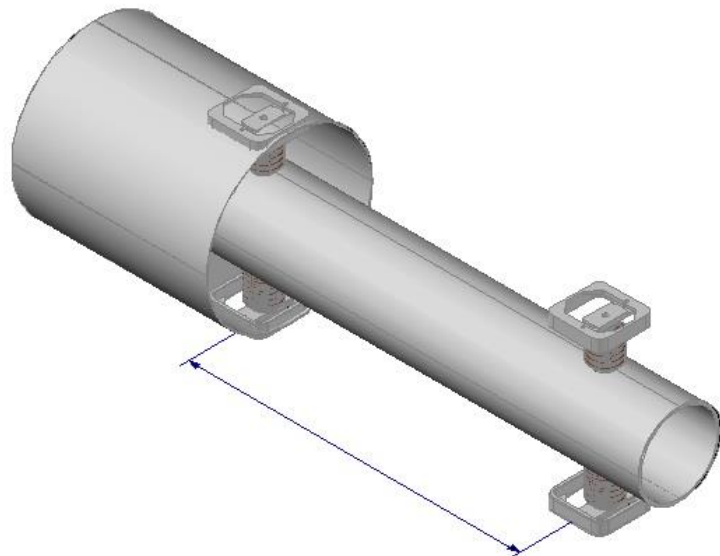


Quality



# ENGINEERING SERVICES

- Specific design and plan 2D & 3D;
- Design integration;
- Dimensioning and calculation
- Technical specifications;
- Procurement;
- Follow up about the manufacturing;
- Support in the erection stage.





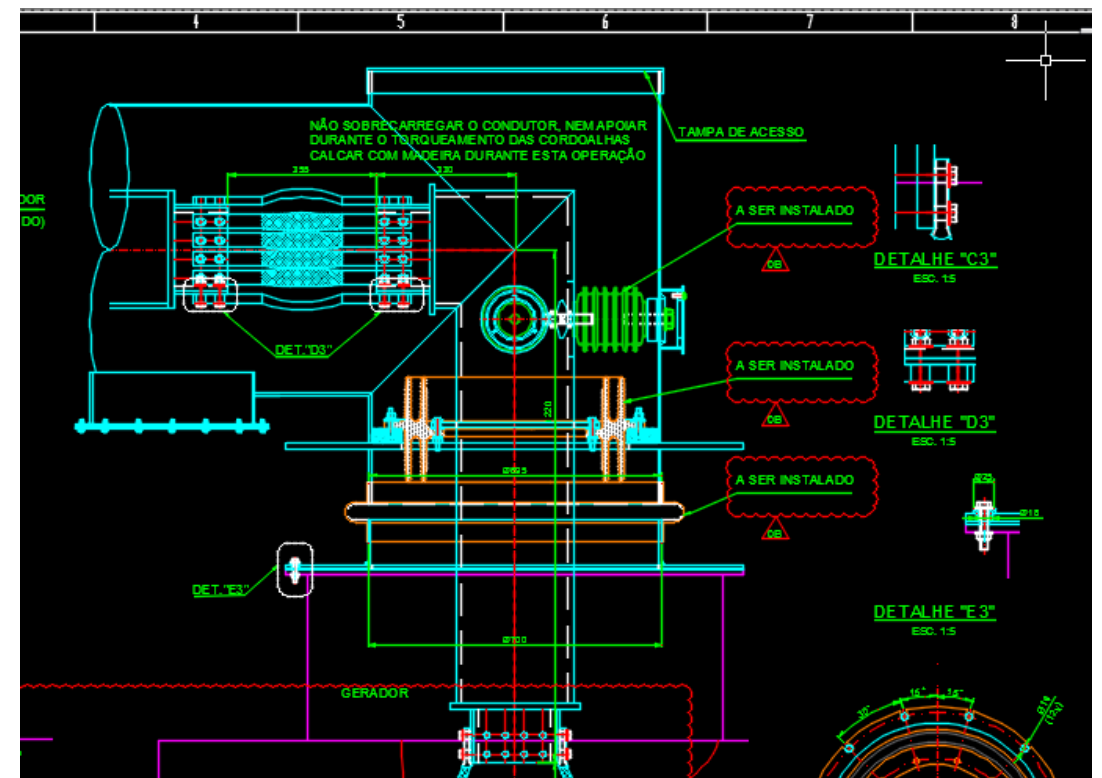
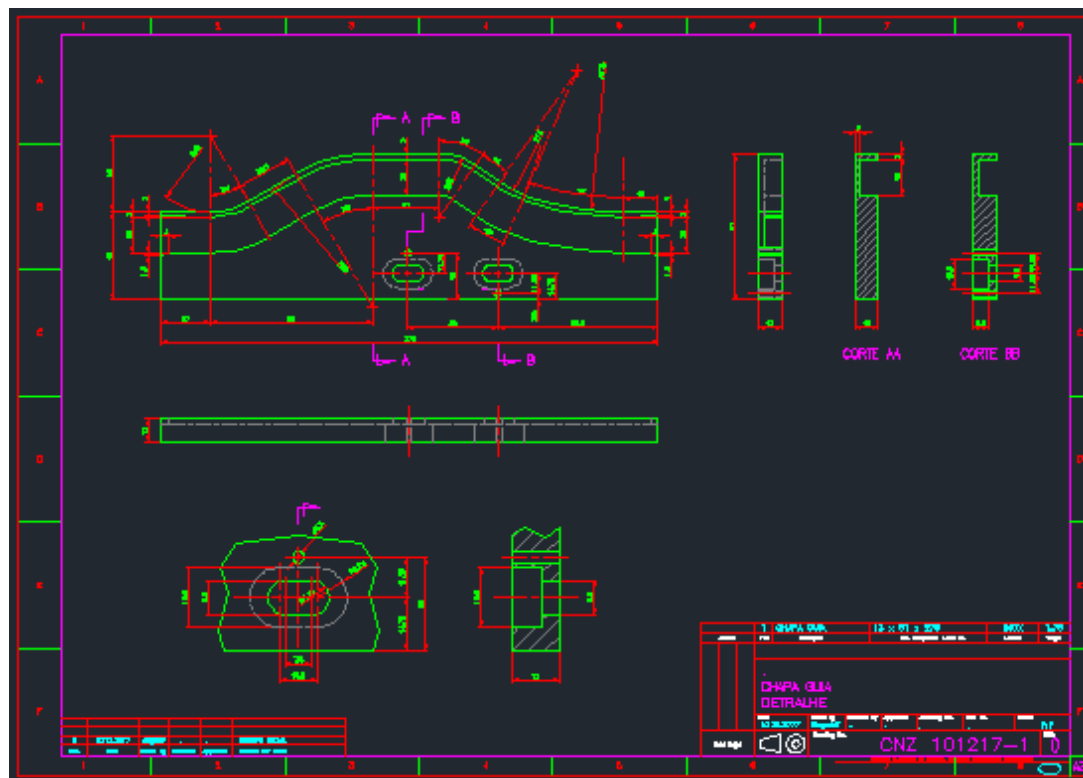
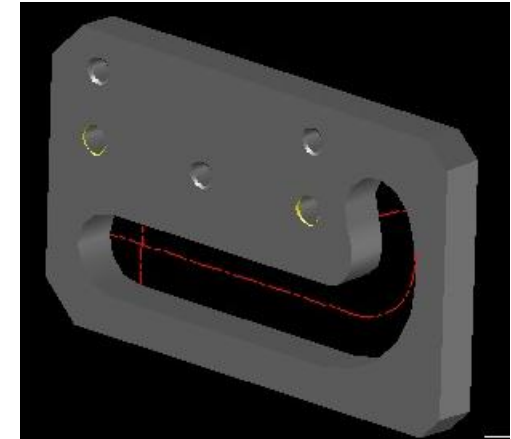
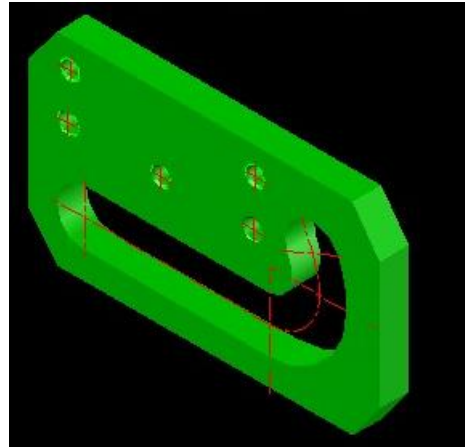
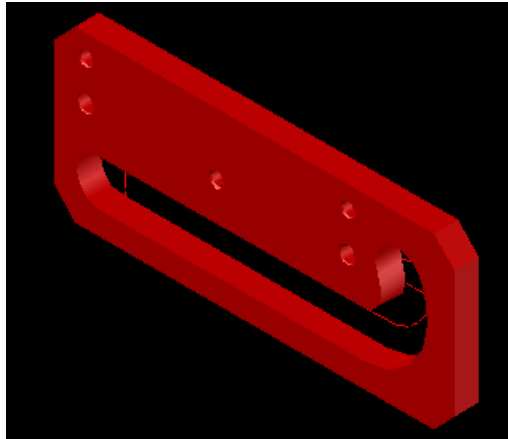
# PROJECT DESIGN

- Manufacturing design;
- Devices and tools;
- Technical solutions;
- Equipment manuals;
- Layout and details;
- Single line diagram;
- Bill of material
- Specific design.





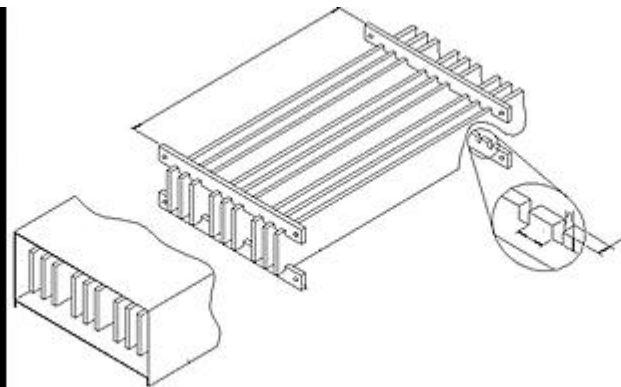
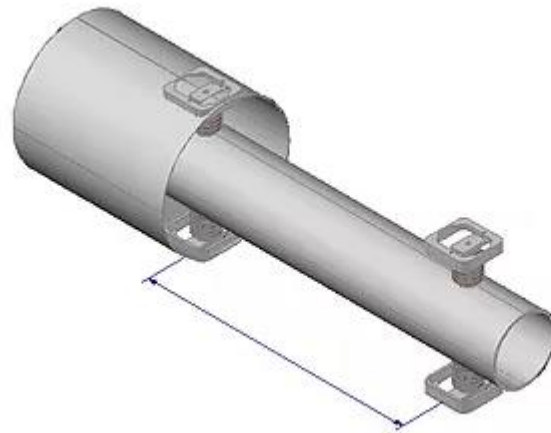
# SOFTWARE MODELING

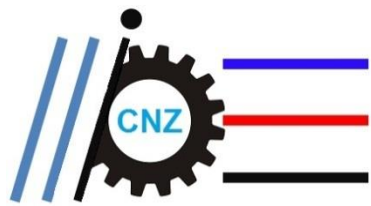




# ISOBUS TECHNOLOGY FOR BUSDUCT

ANSI C37.23 / IEC 60439 / IEC 60865  
ISOLATED PHASES BUSDUCT





# MAIN PROJECTS

- A.V – Electrostatic precipitator [1];
- P.P. Research and Development [2];
- AHE C. do C. – Isolated phases busduct [3];
- UHE B.I. – Isolated phases busduct [4];
- UHE S.O. – Isolated phases busduct [5];

[1]



[2]



[3]



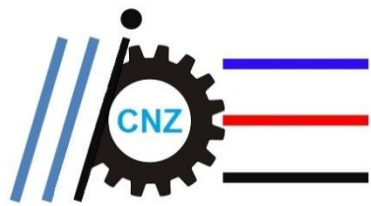
[4]



[5]



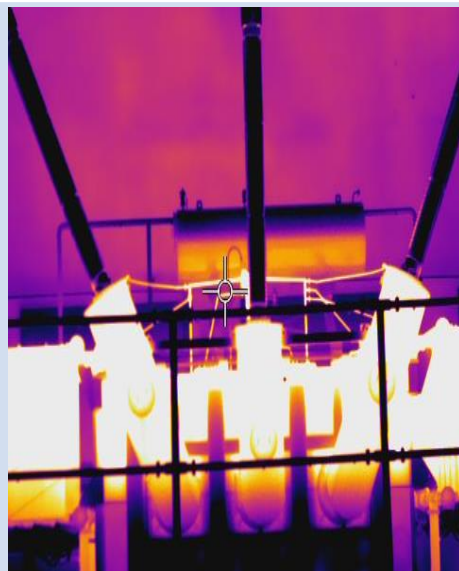




# MAIN PROJECTS

- UHE S.S. – Refurbishment UG.05 [6];
- UHE S.O. – Excitation bus way [7];
- UHE S.M. – Excitation bus way [8];
- VRLL – Electrostatic precipitator [9];
- CTEEP – Substation [10].

[6]



[7]



[8]



[9]



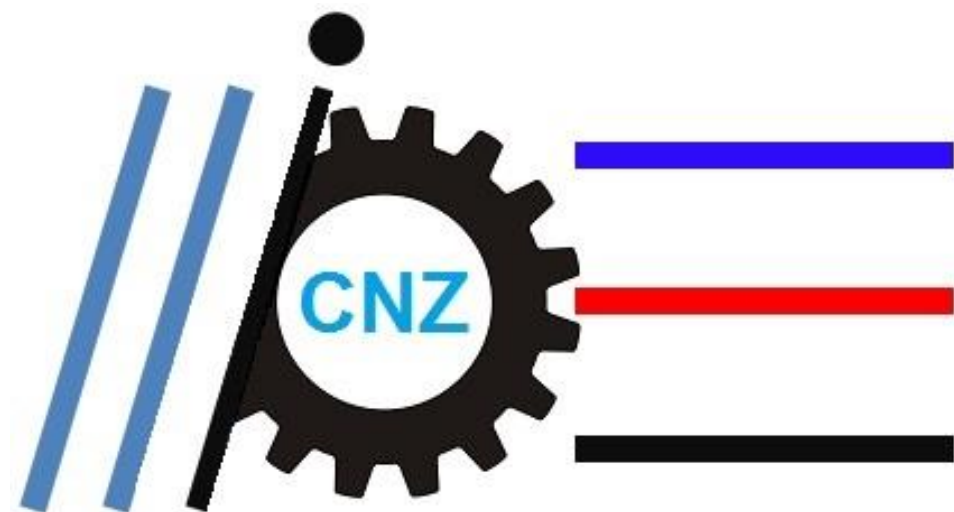
[10]





# CLIENT





<https://www.cnzrenewable.com.br>

© copyright all rights reserved - 2022